

LabSpion

Assembly manual



Last edited: June 27, 2017

Package content and weight

The LabSpion consist of 6 main assemblies as shown below.

Base – 25Kg



Tower – 13Kg



Stand – 20kg



C-Plane Head 6Kg



+

C-Plane Bracket – 3Kg



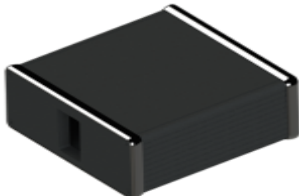
Tripod – 5kg



Cali T50 – 3kg



Sensor – 2Kg



Lamp Holder E27 – 0,5kg



Cross Hair Laser 0,5kg



Laser Distance Plate 0,1kg



Assembly parts and cables

1 x IEC 2m Cable



1 x USB 5m Cable



1 x RJ45 3m Cable



1 x RJ45 25m Cable



2 x Steel Rod with angle



1 x Steel Rod



4 x Caps for Steel Rod



3 x Handles for base



2 x Handles for Lamp Brackets



2 x Lamp Brackets



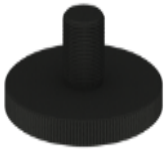
2 x Spacer for Lamp Brackets



8 x Spacer for C-Plane



3 x Screws for Base



8 x Screws for C-Plane



2 x Thumb screws for Laser distance Plate



Adaptors: E14, B22, GU10



USB Stick with software and manuals



Package dimensions and weight

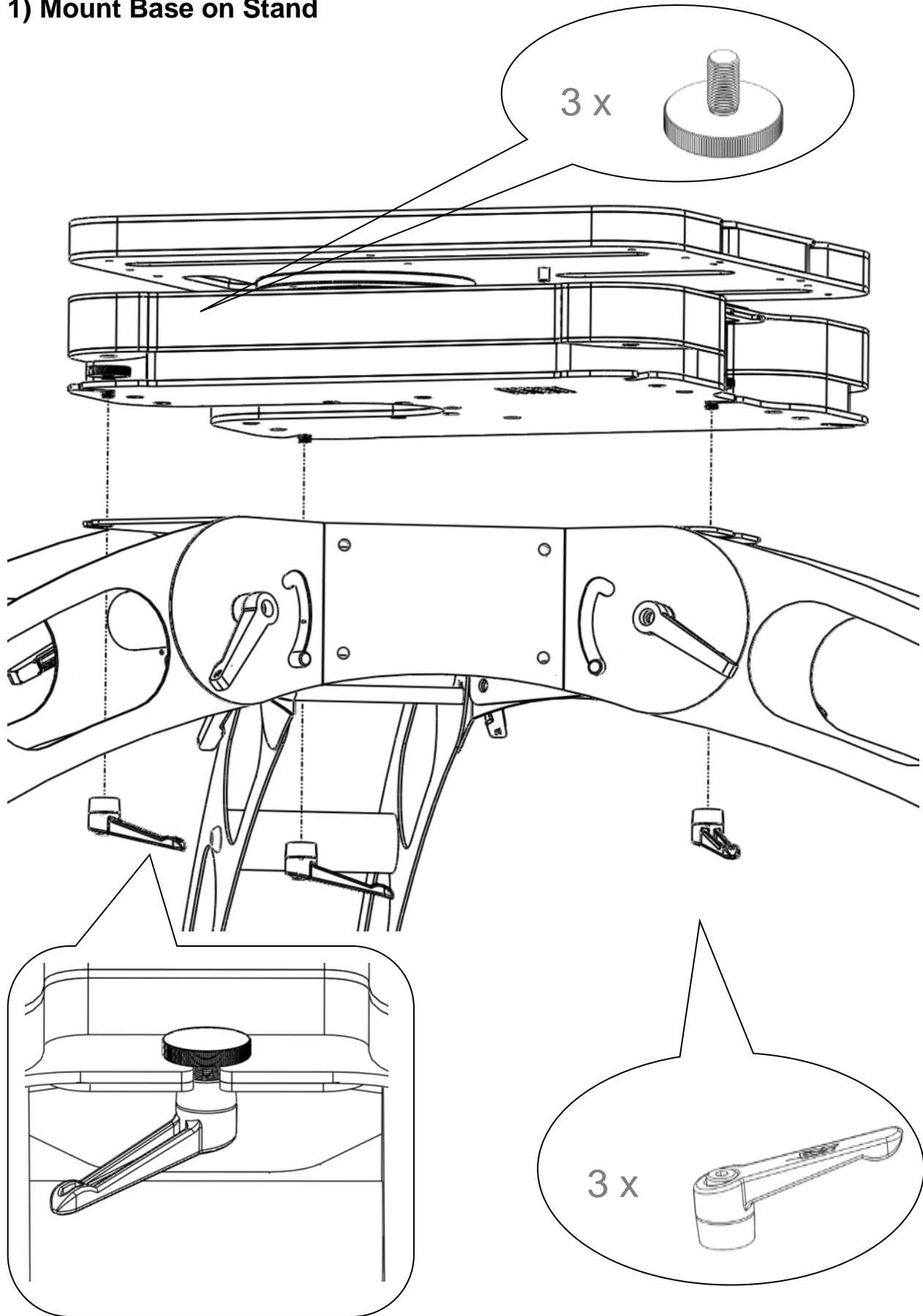
	Shipping packages	Shipping dimensions	Weight
1.	Sensor	50 x 51 x 32 cm	6 Kg
2.	Base	56 x 56 x 34 cm	27 Kg
3.	Bracket + Tripod	128 x 26 x 26 cm	8 Kg
4.	Tower + C-plane Gonio	46 x 33 x 119 cm	25 Kg
5.	Stand	59 x 59 x 102 cm	24 Kg

Total shipping weight: 90 kg.

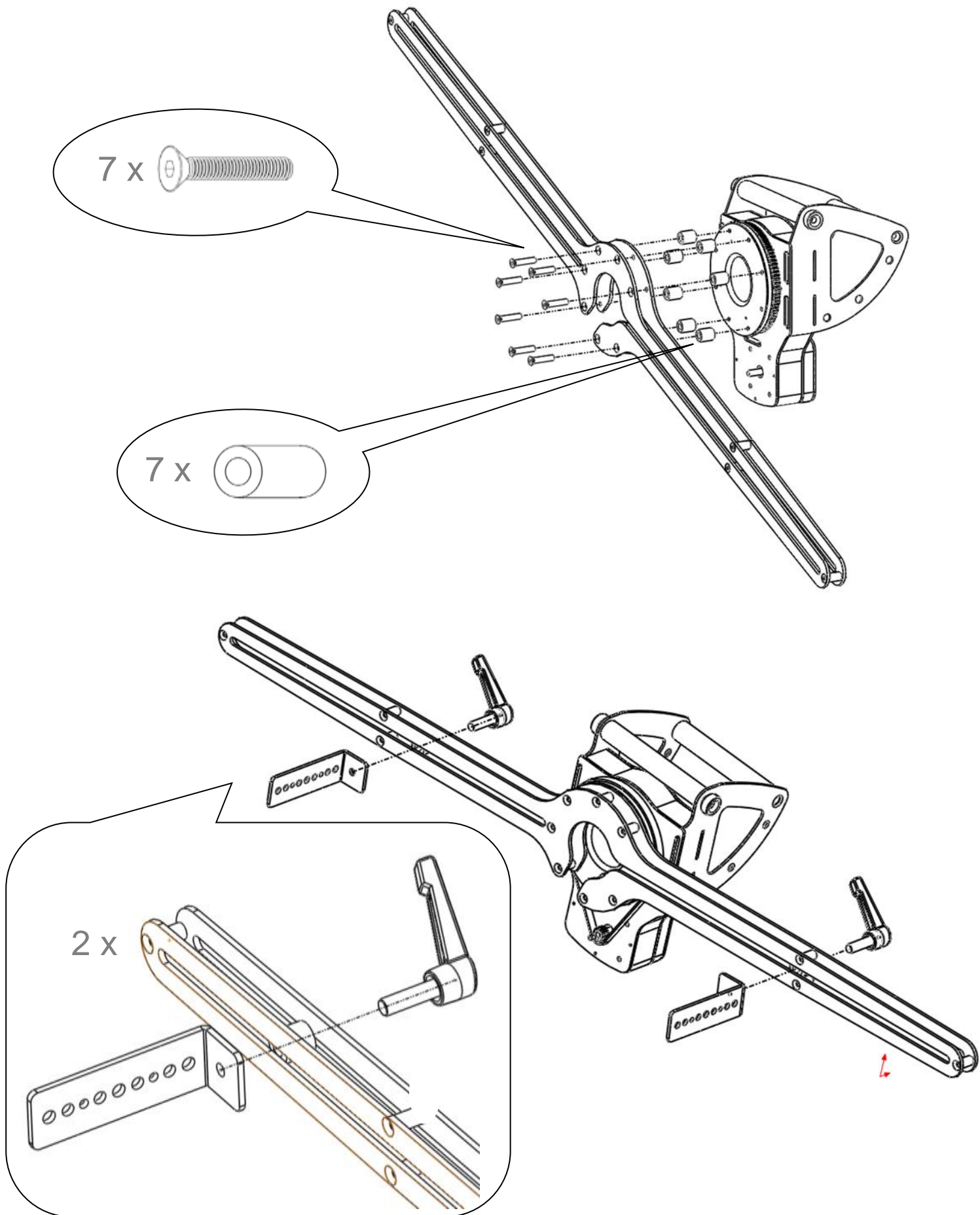
The shipment is done in a total of 5 packages.

Assembly

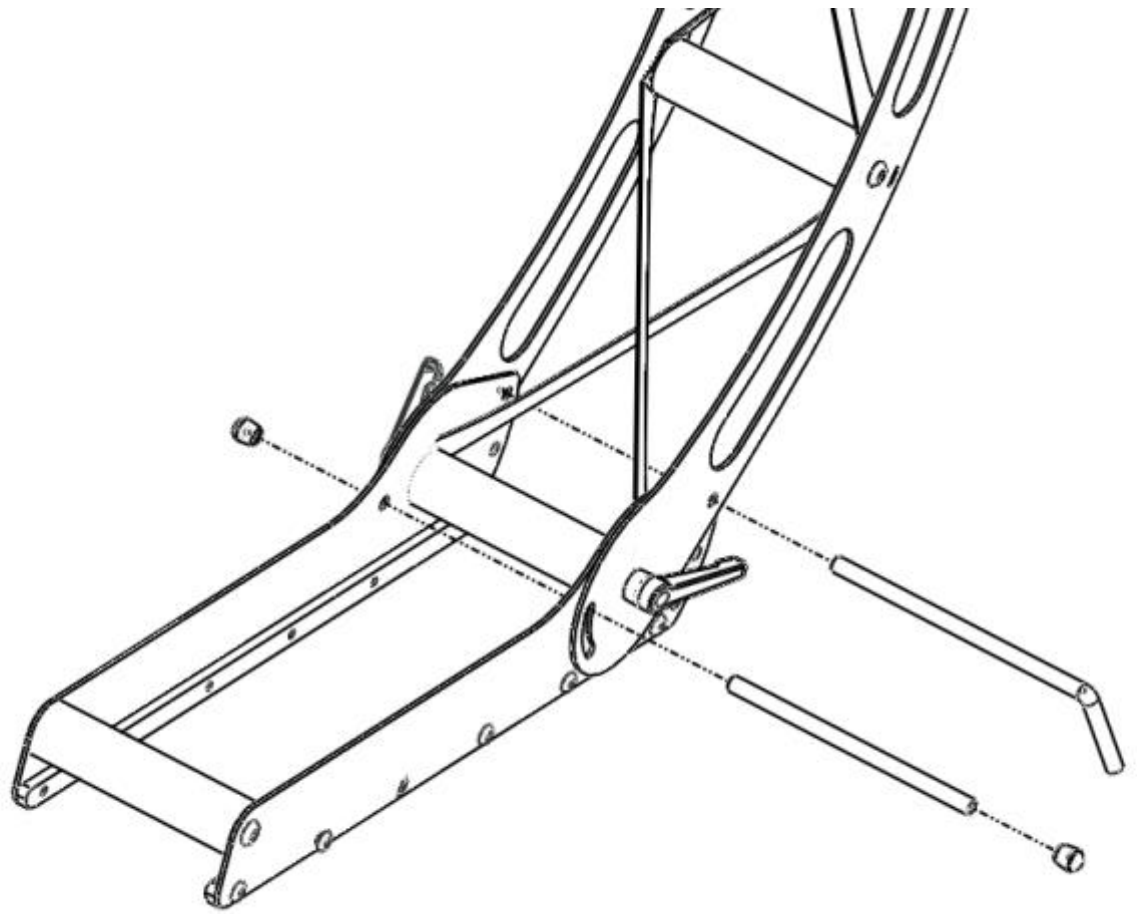
1) Mount Base on Stand



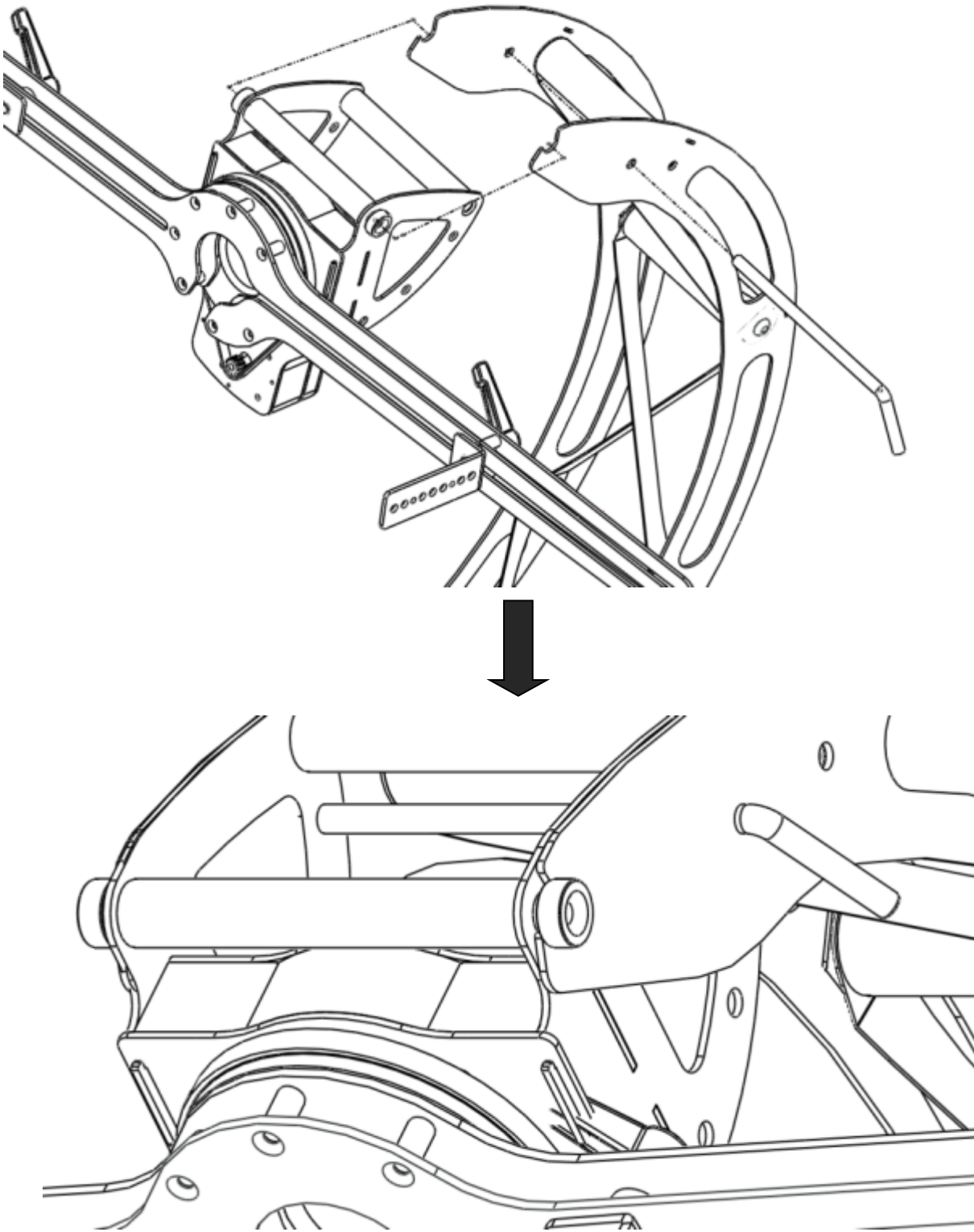
4) Assemble C-Plane Goni – Lamp Bracket



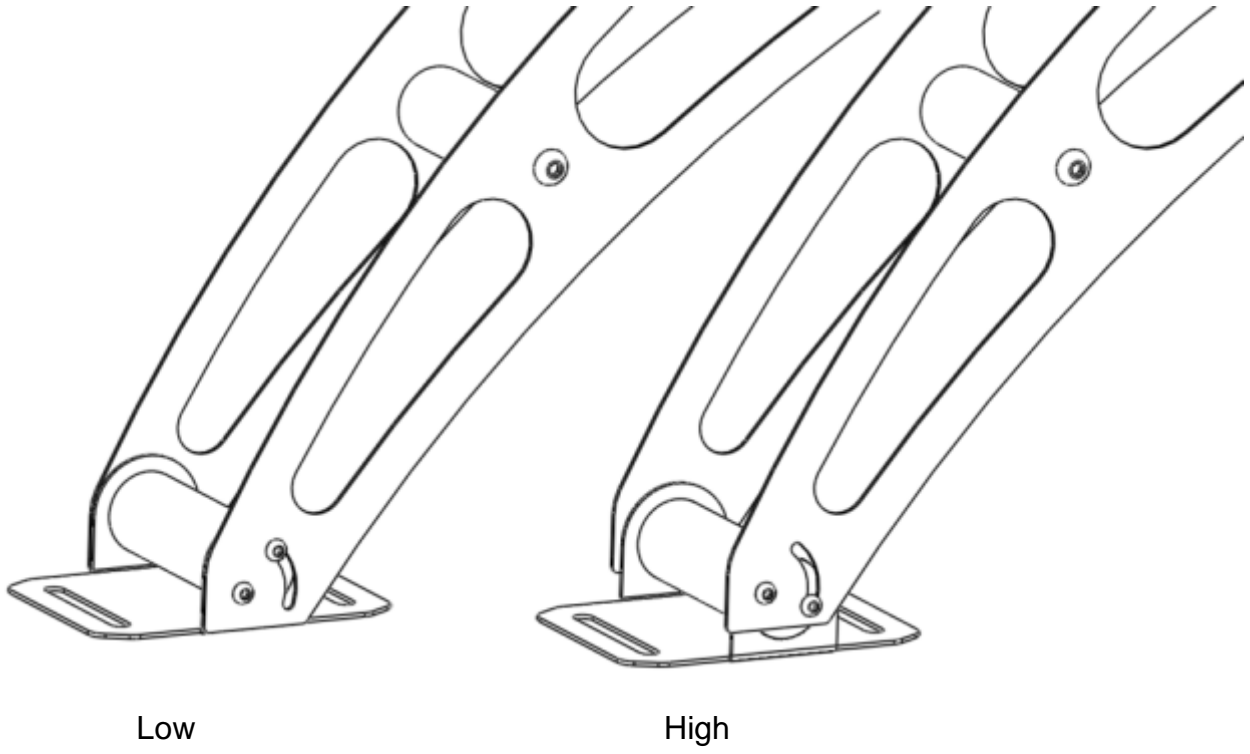
5) Attach Steel Pins to Tower



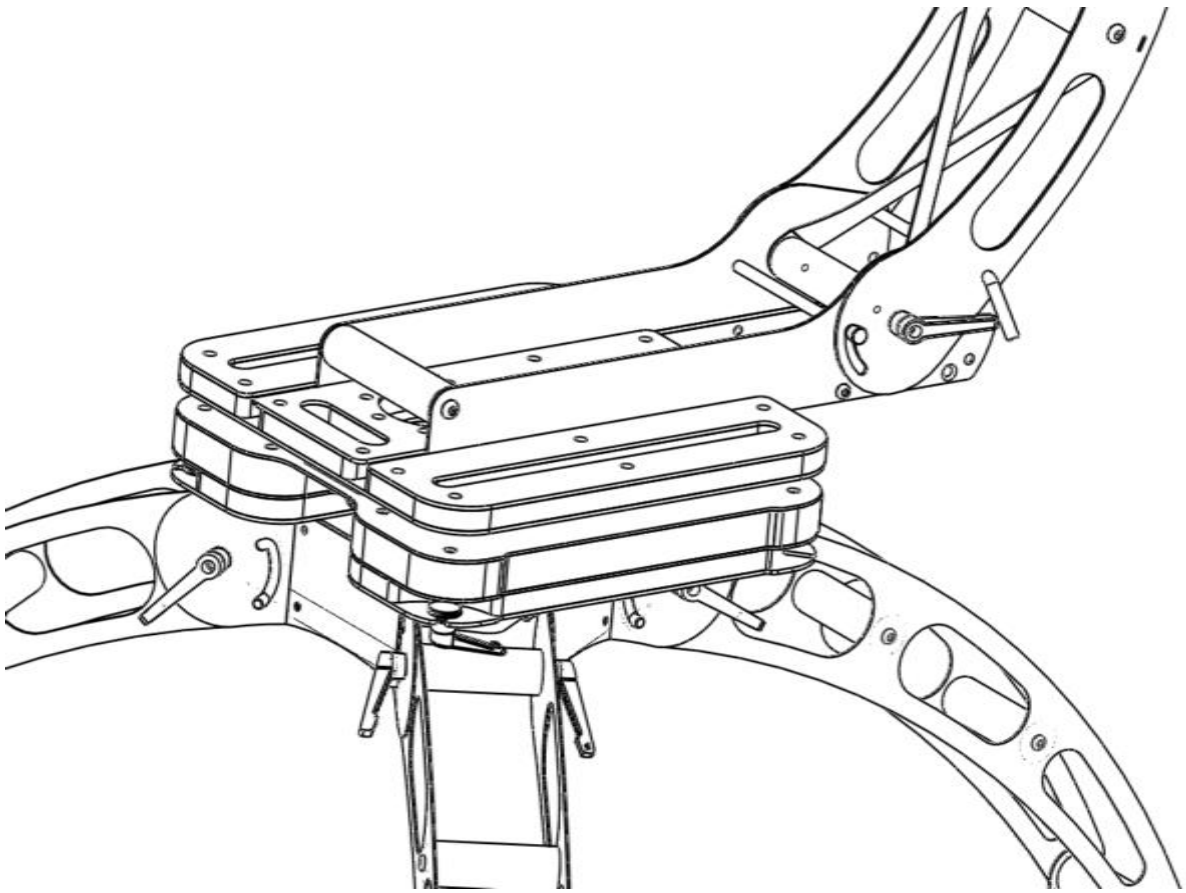
6) Tower + C-Plane Gonio



7) Level base



8) Slide Tower onto the Base



8) Mount Sensor to tripod



Cable connection

Below is a connection diagram showing the cable configuration, please refer to the user manual for further details.

